

Thank you for selecting this new light fitting. All products are thoughtfully designed and manufactured. So that you may get the most from your new light fitting we offer the following guidelines to assist you.

### **Contents**

- 1 x Lampholder assembly.
- 1 x Base.
- 1 x Glass shade.
- 1 x Allen Key.

### **Safety First/Important!**

This lamp is a Class II product and is double insulated so does not require an earth.



Do not plug this lamp into the mains supply until it is completely assembled.

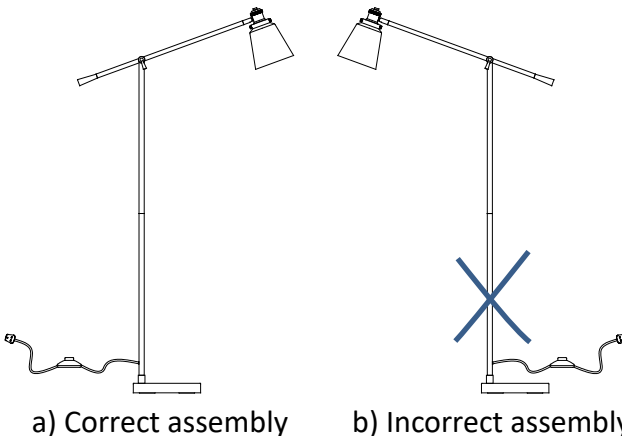
### **Before starting**

Please read through these instructions before commencing, and keep them for future reference. This light fitting is suitable for indoor use only.

### **Assembly Instructions**

Unpack the contents of the carton. Lay the contents out on a flat surface giving yourself room to work.

1. Screw stem "2" into top assembly "1", Ensure threads are properly aligned before tightening by hand. (see diagram on right page.)
2. Push stem into the base and secure by tightening the grub screws by Allen key provided at the side. Don't over tighten the screw.  
To ensure the stability of the lamp, make sure it is assembled as illustrated in a) below.

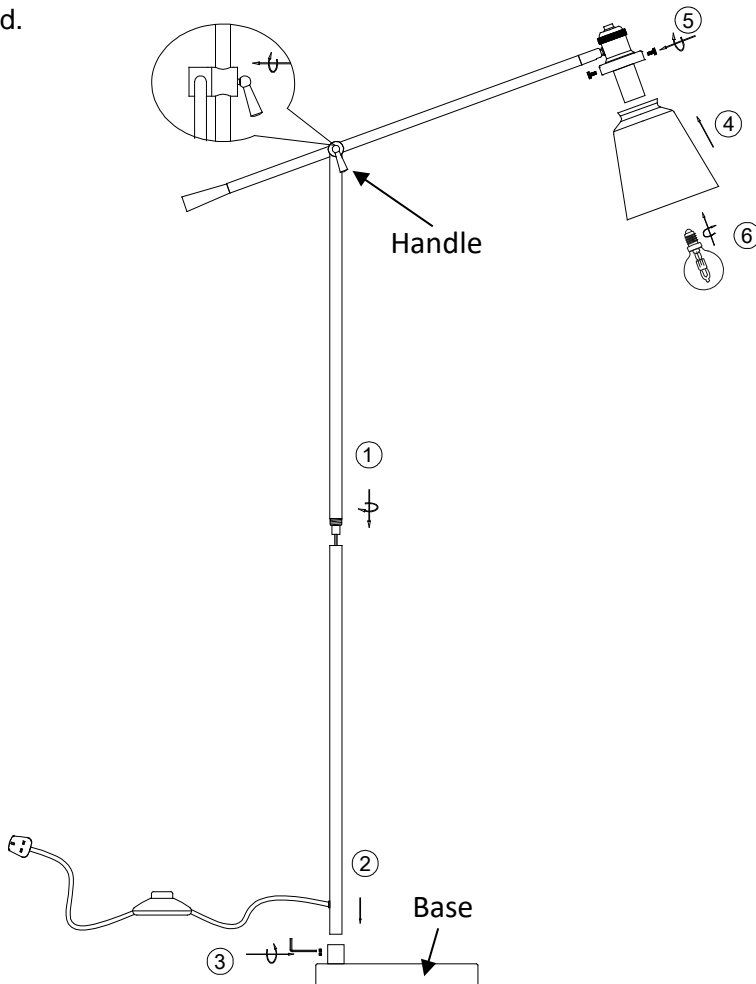


## Attaching shade

- Unscrew side screws from lampholder.
- Place glass shade over lampholder.
- Screw back side screws by hand to hold glass shade in place. Ensuring threads are correctly aligned before tighten. Ensure glass is secured in place.

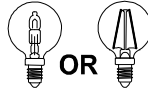
## Adjusting angle

- Adjust lampholder arm to the desired angle by loosening the handle on joint, then adjust lampholder arm to desired angle. Tighten the handle, ensure lampholder arm is secured in place.
- Adjust shade angle by swivel shade up-down or turn left and right gently by hand.



### **Selecting the correct light bulb**

- ◆ Wattage – 1 x GOLF BALL 6W LED OR 28W HALOGEN.
- ◆ Voltage – 240 Volts.
- ◆ Light bulb type –E14 (SES).



Do not exceed the maximum wattage. This may cause your light fitting to overheat. Use a soft cloth to handle bulb.

### **Switch on!**

You may now plug the lamp into the mains. We are sure you will be pleased with your new lamp.

### **Cleaning care**

We recommend cleaning with a soft dry cloth. Do not use abrasive materials as these will rub away the decorative finish.

### **Safety information**

For your safety, please remember the following:

Always switch off the supply before changing light bulbs or cleaning.

Allow bulbs to cool down before handling.

If the external flexible cable of this light is damaged, it should be exclusively replaced by the manufacturer or a similar qualified person in order to avoid a hazard.

MATALAN Perimeter Road, Knowsley Industrial Park, Liverpool, L33 7SZ.

MATALAN  
— home —  
lighting



**GROVE FLOOR LAMP**

**Instructions**

Line Code: M490230