

Thank you for selecting this new light fitting. All products are thoughtfully designed and manufactured. So that you may get the most from your new light fitting we offer the following guidelines to assist you.

Contents

- 1 x Floor lamp.
- 1 x Allen key.
- 5 x Clear glass shade.

Safety First/Important!

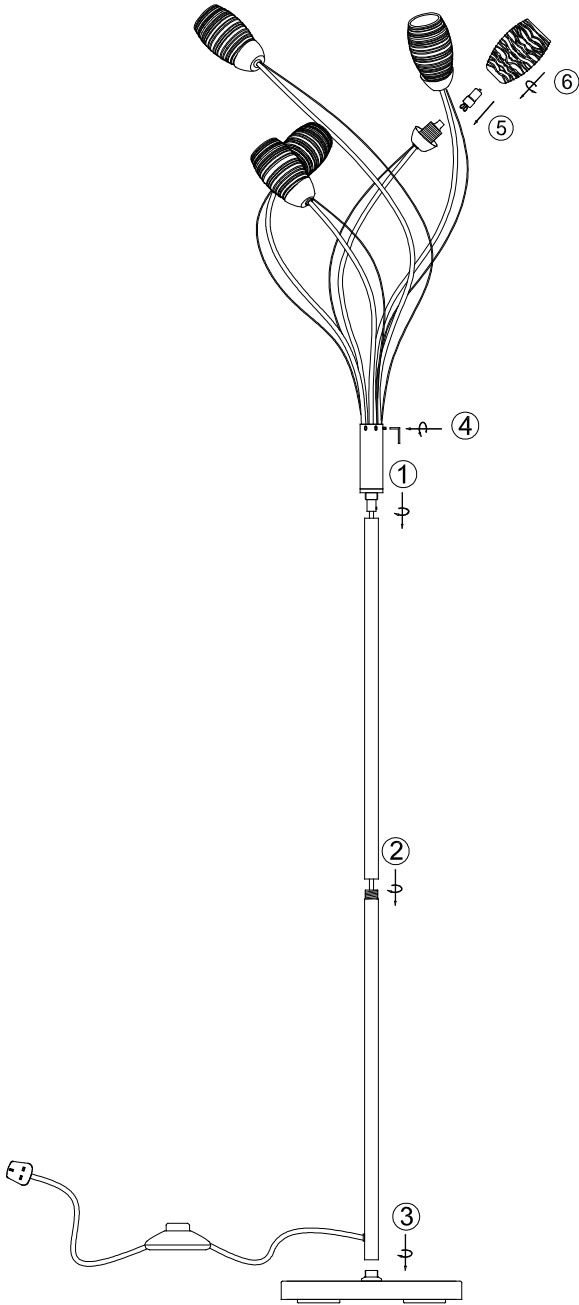
This lamp is a Class II product and is double insulated so does not require an earth.



Do not plug this lamp into the mains supply until it is completely assembled.

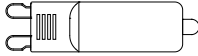
Assembly Instructions

- 1) Screw tube "2" to top assembly "1".
Ensure threads are properly aligned before tightening by hand.
(see diagram on the right).
- 2) Screw tube "3" to tube "2" ensuring threads are properly aligned before tightening by hand.
- 3) Take the assembled tubes and top section and attach these to base.
- 4) Inset arms into its socket on the center stem.
Loosen the grub screws "4", don't remove them completely.
Arrange the arms to desired position. Tighten grub screws, taking care not to over tighten.



Selecting the correct light bulb

- ◆ Wattage – 5 x 6W LED OR MAX 28W HALOGEN.
- ◆ Voltage – 240 Volts.
- ◆ Light bulb type –G9



Do not exceed the maximum wattage as this may cause your light fitting to overheat. Use a soft cloth to handle bulbs. Insert a bulb into each lampholder.

Attaching shades

Screw glass shade onto each lampholder gently. Hand tighten only. Don't over tighten. Ensure shades are secured in place.

Switch on!

You may now switch the electricity back on. We are sure you will be pleased with your new light fitting.

Cleaning care

We recommend cleaning with a soft dry cloth. Do not use abrasive materials as these will rub away the decorative finish.

Safety information

For your safety, please remember the following:

Always switch off the supply before changing light bulbs or cleaning.

Allow bulbs to cool down before handling.

If the external flexible cable of this lamp is damaged, it shall be exclusively replaced by the manufacturer or a similar qualified person in order to avoid a hazard.

This product is designed for use with self-shielded tungsten halogen lamps only.



This product should be positioned so that the bulbs are no closer than 10cm from the surface they are lighting. (0.1m)

MATALAN
— home —
lighting



BLAKE CLEAR 5 LIGHT FLOOR LAMP

Instructions

Line Code: M490227